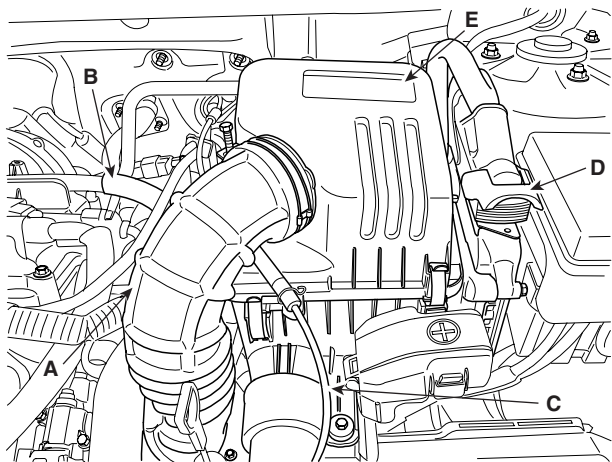


7. Remove the air cleaner assembly.
 - 1) Disconnect the air cleaner hose(A) and the breather hose(B).
 - 2) Disconnect the accelerator cable(C) from the air cleaner.
 - 3) Disconnect the PCM connectors(D).
 - 4) Remove the air cleaner assembly(E).

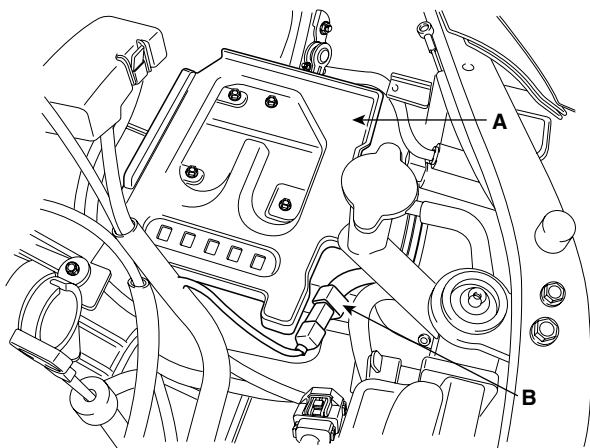
Tightening torque :

7.8 ~ 9.8N.m (0.8 ~ 1.0kgf.m, 5.8 ~ 7.2lb-ft)



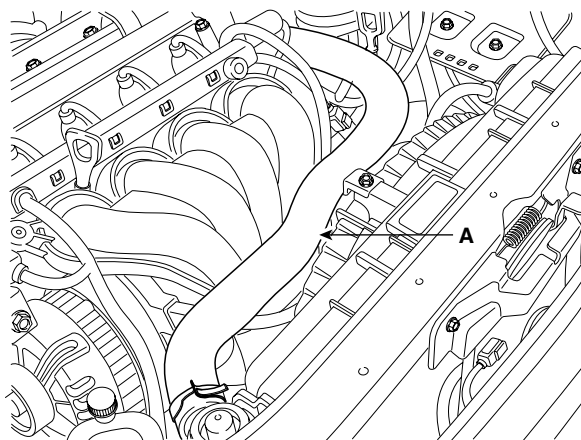
SHDEM6004D

8. Remove the battery tray(A) and disconnect front connector(B).

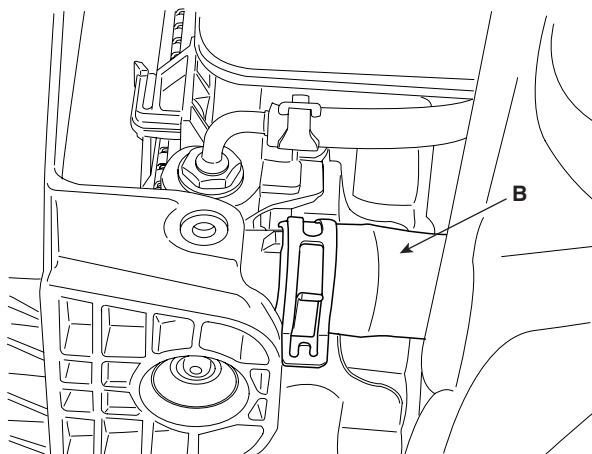


SEDEM7002L

9. Remove the upper radiator hose(A) and lower radiator hose(B).



SEDEM7003L

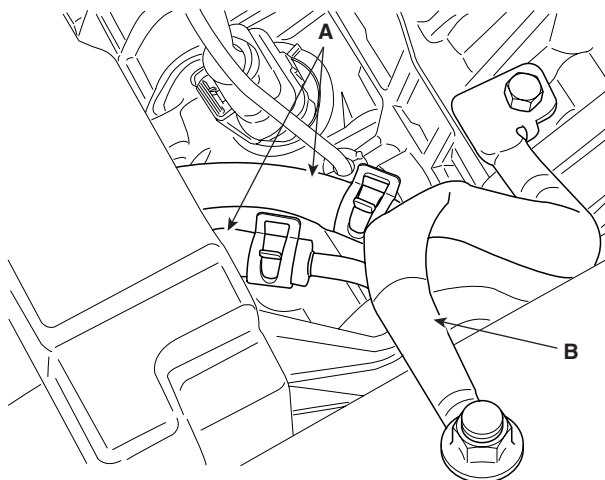


SHDEM6008D

10. Remove the ATF oil cooler hoses(A) and the transaxle ground line(B).

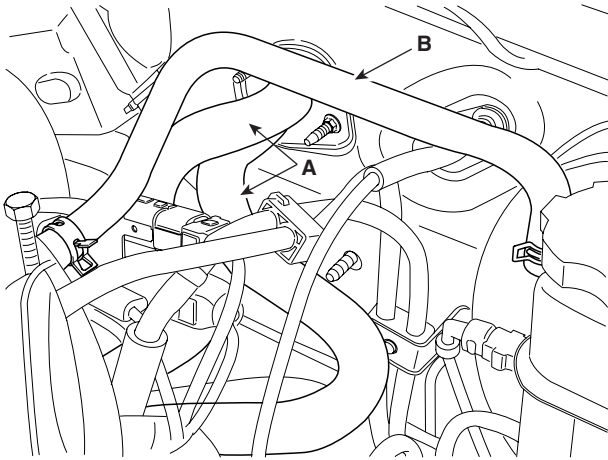
Tightening torque :

9.8 ~ 11.8N.m (1.0 ~ 1.2kgf.m, 7.2 ~ 8.7lb-ft)



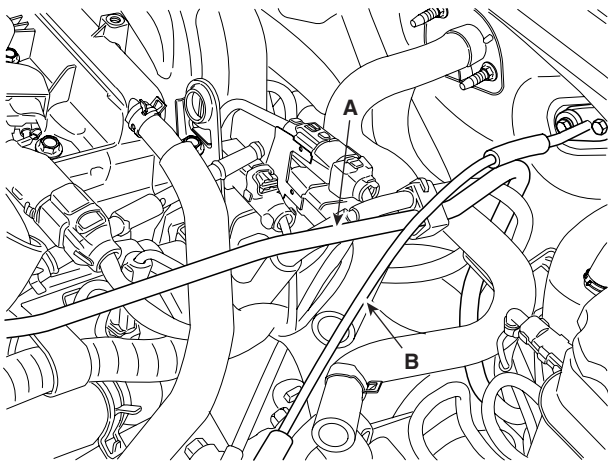
SHDEM6011D

11. Remove the heater hoses(A) and brake booster hose(B).



SHDEM6012D

12. Remove the fuel hose(A) and the accelerator cable(B).

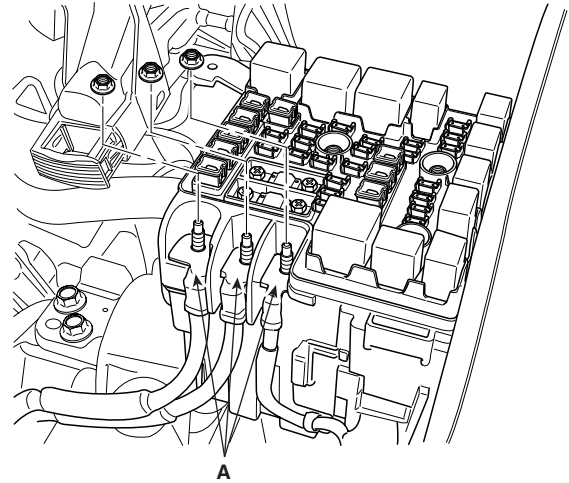


SHDEM6013D

13. Remove the fuse box cover.

14. Disconnect the terminals(A) from the fuse box.

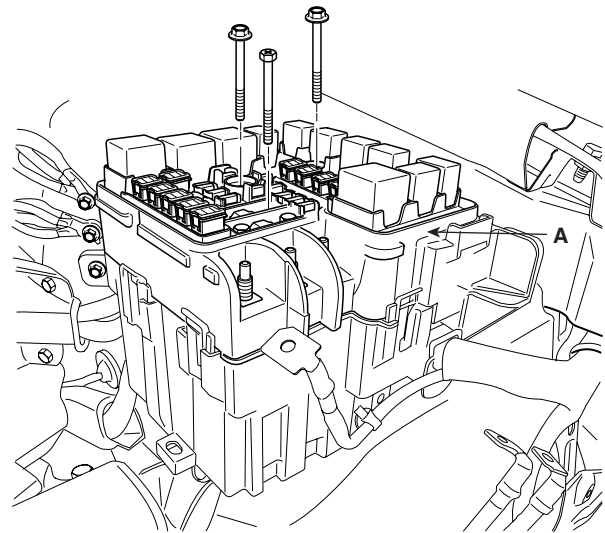
Tightening torque :
9.8 ~ 11.8N.m (1.0 ~ 1.2kgf.m, 7.2 ~ 8.7lb-ft)



SHDEM6006D

15. After removing the mounting bolts, remove the relay and fuse assembly(A).

Tightening torque :
9.8 ~ 11.8N.m (1.0 ~ 1.2kgf.m, 7.2 ~ 8.7lb-ft)



SHDEM6009D